

## IMPORTANT:

The product is powered by electricity. In order to avoid burns, fire and electric shock, please read the instructions carefully. Failure to read, thoroughly understand, and follow all instructions can result in serious personal injury, damage to equipment, or voiding of factory warranty. Should you ever have any questions or feel you require help please contact your place of purchase for assistance.

The instructions for appliances incorporating a functional earth shall state the substance of the following: This appliance incorporates an earth connection for functional purposes only.

## Instructions of Safety and Warnings

- Make sure that the mounting surface is strong enough to handle mounted product and equipment.
- **DO NOT EXCEED MAXIMUM LISTED WEIGHT CAPACITY.**
- Always be sure to have someone assist you or a mechanical device to lift and position heavy products safely.
- Tighten screws firmly, but do not over tighten. Over tightening can cause product damage that greatly reduces the holding power.
- Keep a clear area and distance from moving parts when using the product.
- Use only as intended. Never stand, hang or climb on the product.
- This product is intended for indoor use only.
- Any attempts to reconstruct the construction or alterations of the given power unit and control box aren't allowed.
- This product may contain small items that could be a choking hazard if swallowed. Keep children away unless the product is intended for their use and all instructions and manuals are fully reviewed and understood by them.
- Check that the product is secure and safe to use at regular intervals (at least every three months).

## Other Cautions



Don't clean the product with water while the power is still connected.



Don't disassemble or replace components while the power is still connected.



Never operate the system with a damaged cord or plug.



Never operate the system if it's in moist environment or its electrical components have contact with liquids.



If the control box makes unusual noise or smells, switch off the mains voltage immediately.



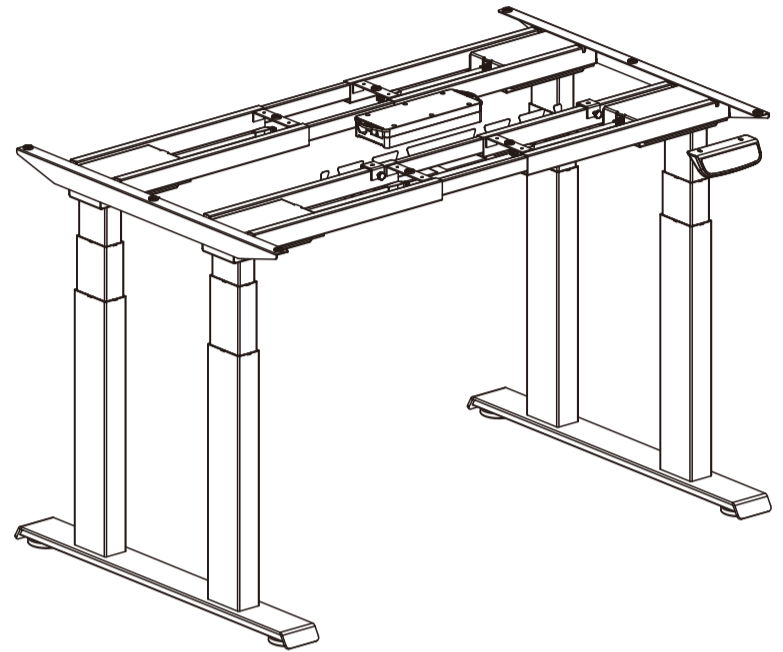
**Disposal:** The product with this mark indicates that this product shouldn't be disposed with other household wastes throughout the EU. To prevent possible harm to the environment or human health from uncontrolled waste disposal, recycle it responsibly to promote the sustainable reuse of material resources. To return your used device, please use the local recycle service or contact your point of purchase to withdraw the product.

# STABLEDESK

## FOUR-LEG ELECTRIC SIT-STAND DESK

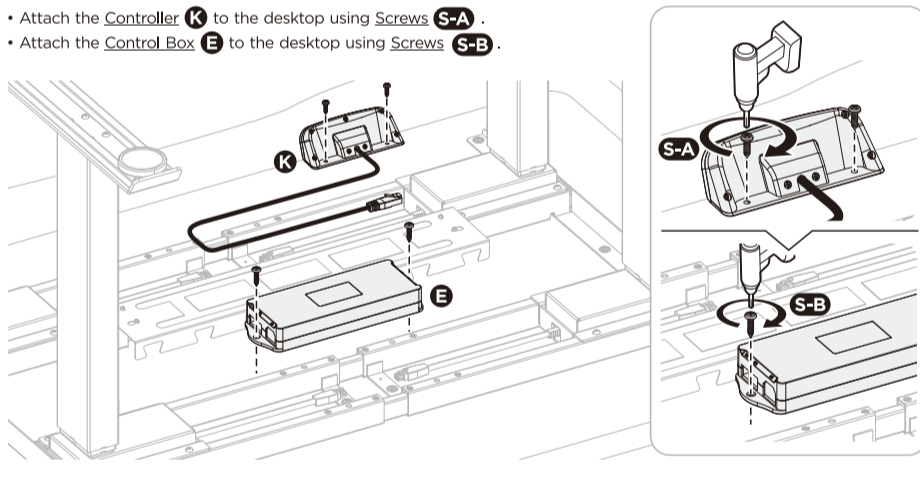
### Instruction Manual

### SD-202-NE



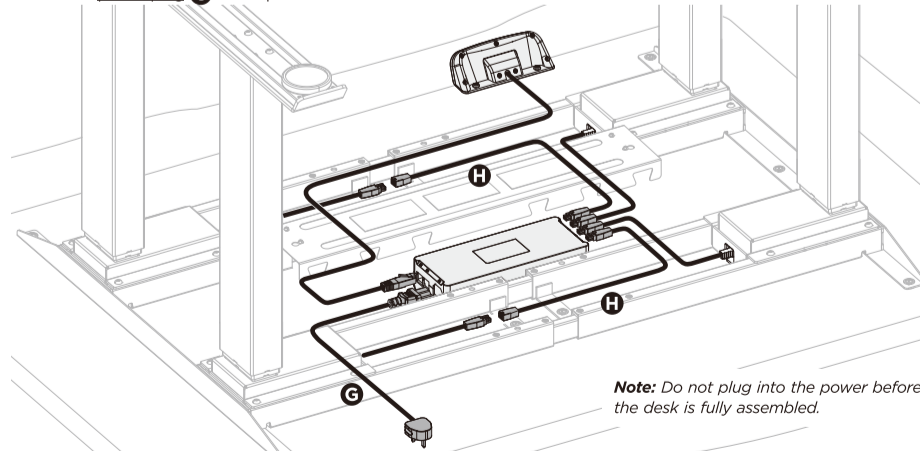
## 8. Attaching the Controller and the Control Box

- Attach the **Controller (K)** to the desktop using **Screws (S-A)**.
- Attach the **Control Box (E)** to the desktop using **Screws (S-B)**.

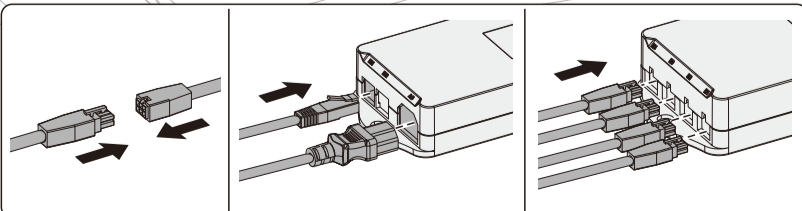


## 9. Connecting Cords

- Connect the four motor cords to the four ports marked "M1", "M2", "M3" and "M4" (four ports on the same side of the control box). If necessary, use the **Power Cable (H)** to connect the two more distant lifting columns to the ports of the **E**.
- Connect the cord of **controller (K)** to the port marked "Hs1".
- Insert the **power plug (G)** in the port marked "AC".

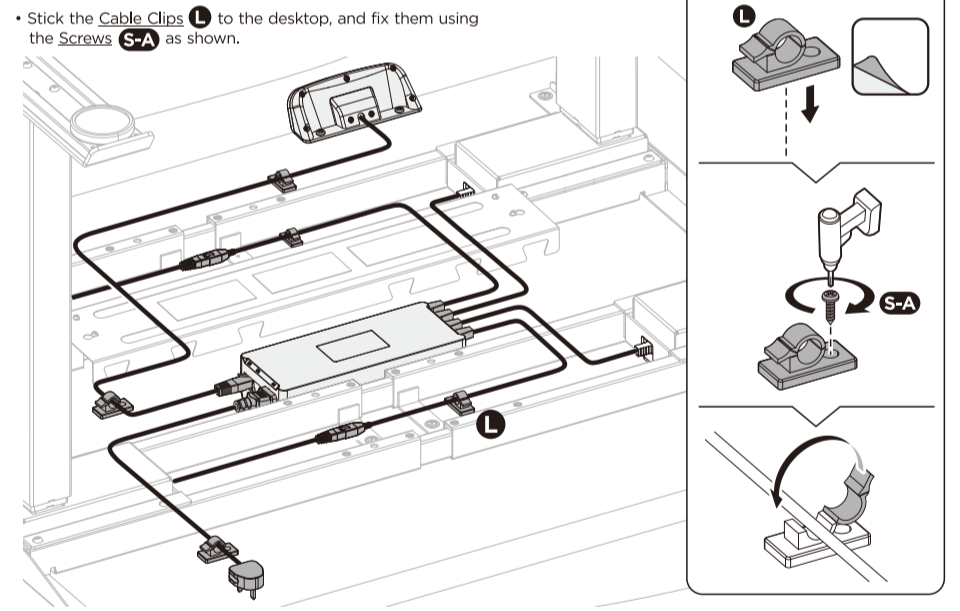


**Note:** Do not plug into the power before the desk is fully assembled.



## 10. Attaching the Cable Clips

- Stick the **Cable Clips (L)** to the desktop, and fix them using the **Screws (S-A)** as shown.

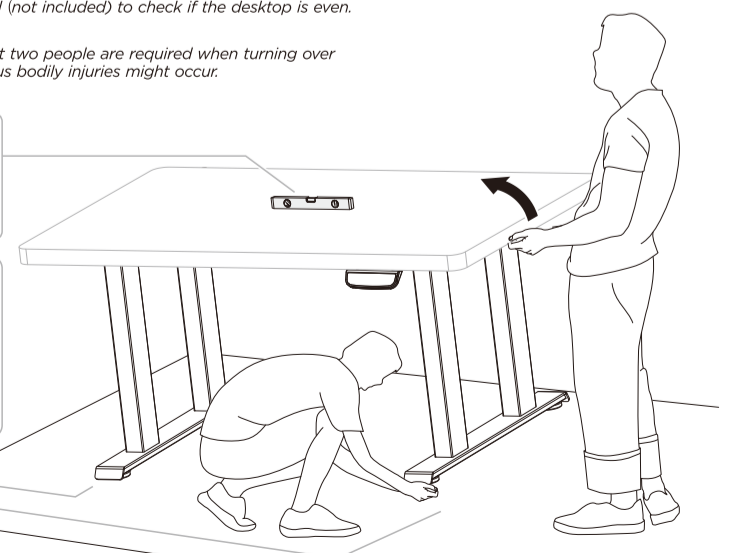
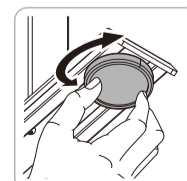
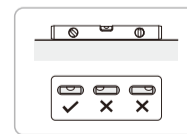


## 11. Adjusting the Desk

- Turn over the desk with the help of another person.
- If the floor isn't even, simply rotate the pad to adjust the level to make the desk stable.

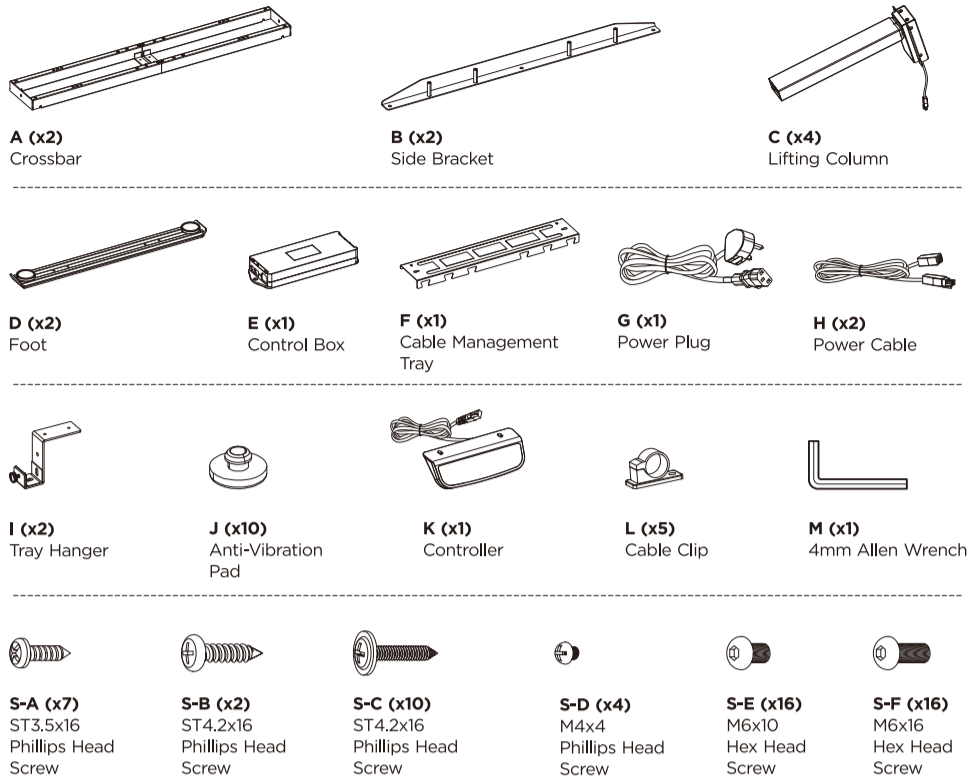
**Tip:** Use a bubble level (not included) to check if the desktop is even.

**CAUTION:** At least two people are required when turning over the desk, or serious bodily injuries might occur.

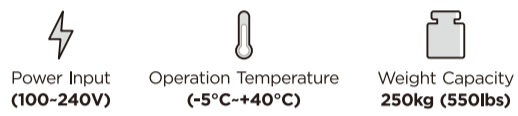


## Checklist and Installation

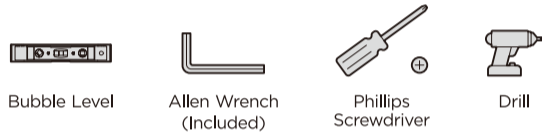
Please check all of the components shown in the component checklist. If any of the components are missing or damaged, contact your point of purchase for a replacement.



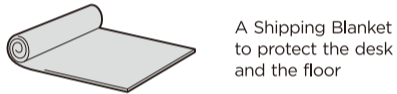
### What important specifications should know before installation?



### What tools are needed to assemble the desk frame?

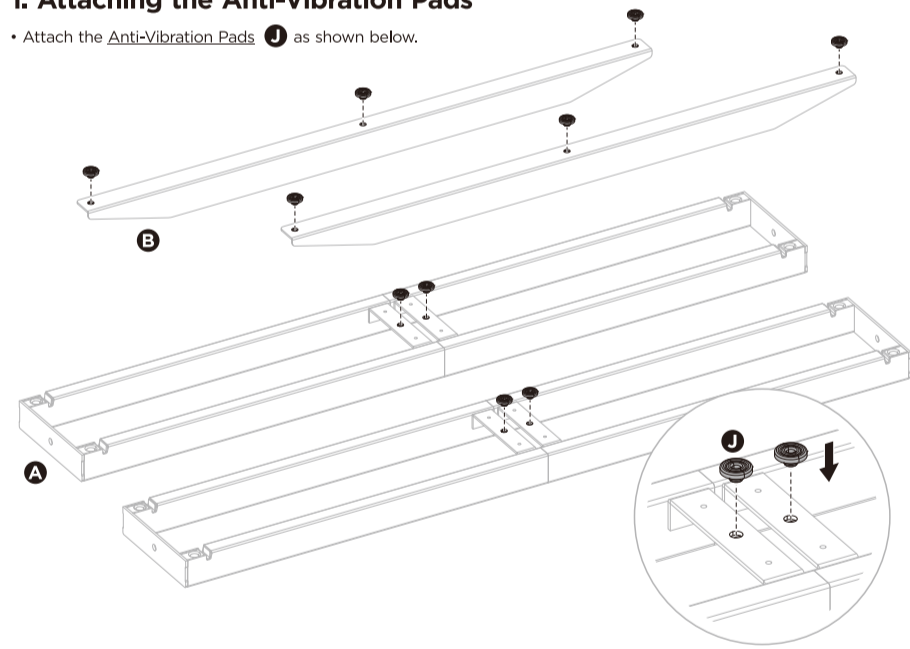


### What's the thing you'd better have before installation?



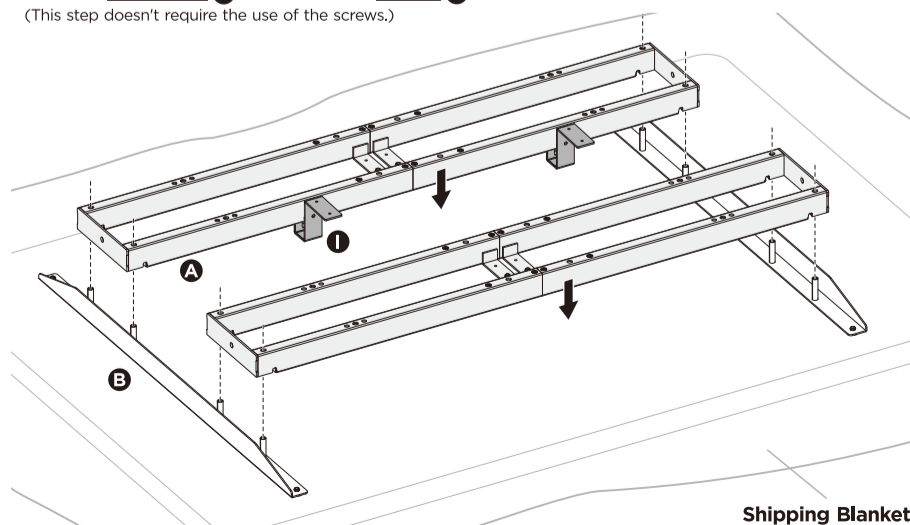
## 1. Attaching the Anti-Vibration Pads

- Attach the **Anti-Vibration Pads** **J** as shown below.



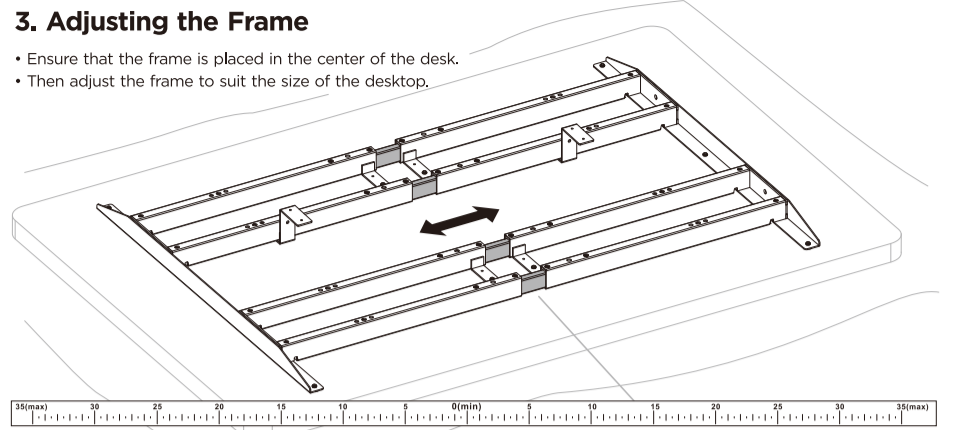
## 2. Attaching the Frame

- Please prepare a spacious area for installation, and put a shipping blanket on the area to prevent scratches.
- Carefully place the desktop (not included) upside down on the blanket.
- Place the **crossbar** **A** and **side brackets** **B** on the top.
- Put the **Tray Hangers** **I** under one of the **A** component.
- Attach the **side brackets** **B** to the end of the **crossbar** **A** as shown below. (This step doesn't require the use of the screws.)

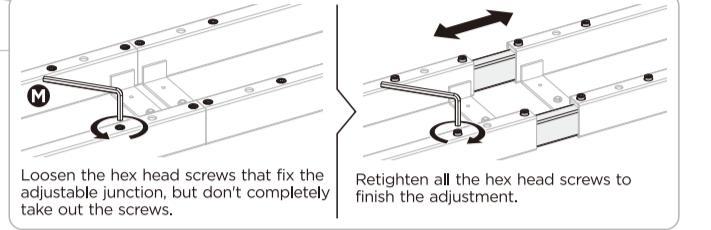


## 3. Adjusting the Frame

- Ensure that the frame is placed in the center of the desk.
- Then adjust the frame to suit the size of the desktop.

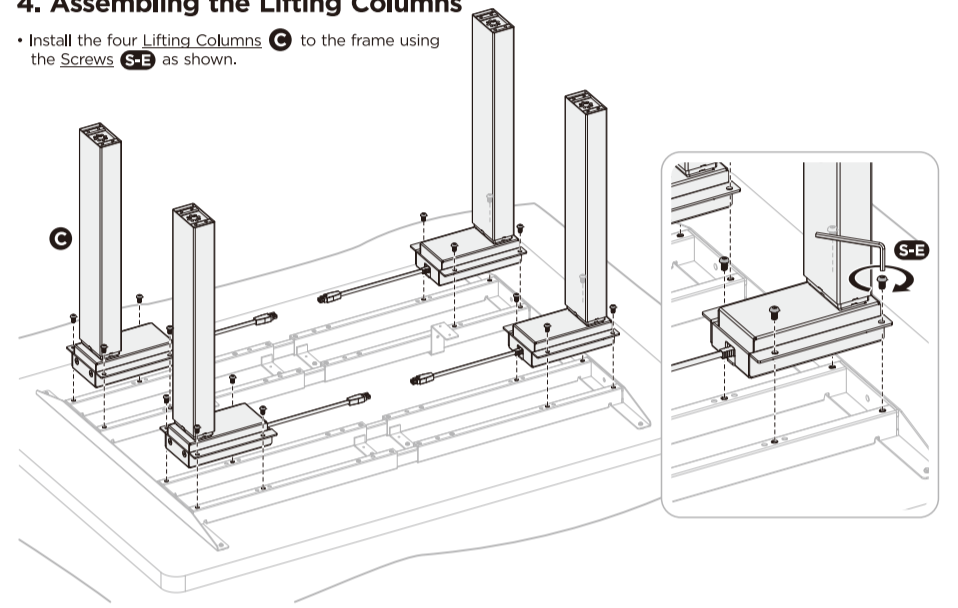


**Note:** When adjusting the frame position, please make sure it doesn't exceed the scale marks on the inner crossbar.



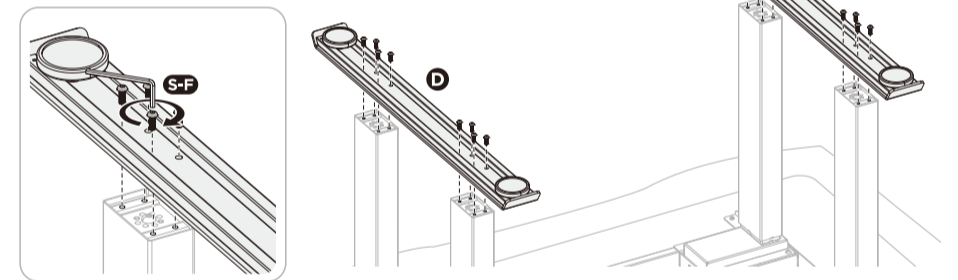
## 4. Assembling the Lifting Columns

- Install the four **Lifting Columns** **C** to the frame using the **Screws** **S-E** as shown.



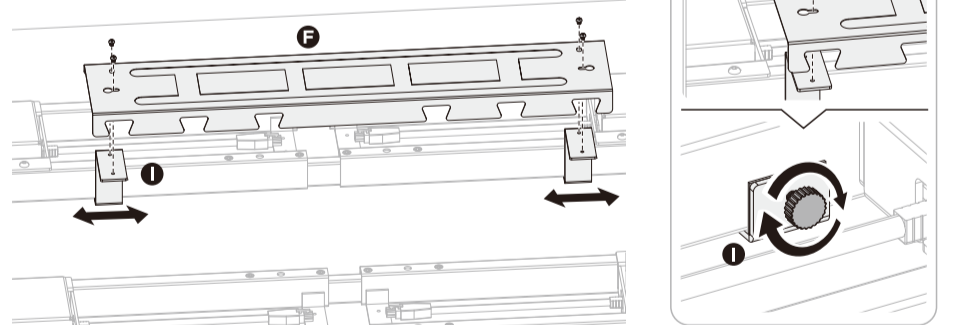
## 5. Assembling the Feet

- Install the two **Feet** **D** to the bottoms of the columns using the **Screws** **S-F** as shown.



## 6. Assembling the Cable Management Tray

- Adjust the tray hangers to suitable positions, and then install the **Cable Management Tray** **F** to the tray hangers using the **Screws** **S-D** as shown.
- Fix the tray to the frame by tightening the knobs on the tray hangers.



## 7. Assembling the Desktop

- Install the assembled frame to the desktop using the **Screws** **S-C**.

