

IMPORTANT:

The product is powered by electricity. In order to avoid burns, fire and electric shock, please read the instructions carefully. Failure to read, thoroughly understand, and follow all instructions can result in serious personal injury, damage to equipment, or voiding of factory warranty. Should you ever have any questions or feel you require help please contact your place of purchase for assistance.

Instructions of Safety and Warnings

- Make sure that the mounting surface is strong enough to handle mounted product and equipment.
- **DO NOT EXCEED MAXIMUM LISTED WEIGHT CAPACITY.**
- Always use an assistant or a mechanical lifting device to safely lift and position heavy products.
- Tighten screws firmly, but do not over tighten. Over tightening can cause product damage that greatly reduces the holding power.
- Keep a clear area and distance from moving parts when using the product.
- Use only as intended. Never stand, hang or climb on the product.
- This product is intended for indoor use only.
- Any attempts to reconstruct the construction or alterations of the given power unit and control box aren't allowed.
- This product may contain small items that could be a choking hazard if swallowed. Keep children away unless the product is intended for their use and all instructions and manuals are fully reviewed and understood by them.
- Check that the product is secure and safe to use at regular intervals (at least every three months).

Other Cautions

- Don't clean the product with water while the power is still connected.
- Don't disassemble or replace components while the power is still connected.
- Never operate the system with a damaged cord or plug.
- Never operate the system if it's in moist environment or its electrical components have contact with liquids.
- If the control box makes unusual noise or smells, switch off the mains voltage immediately.

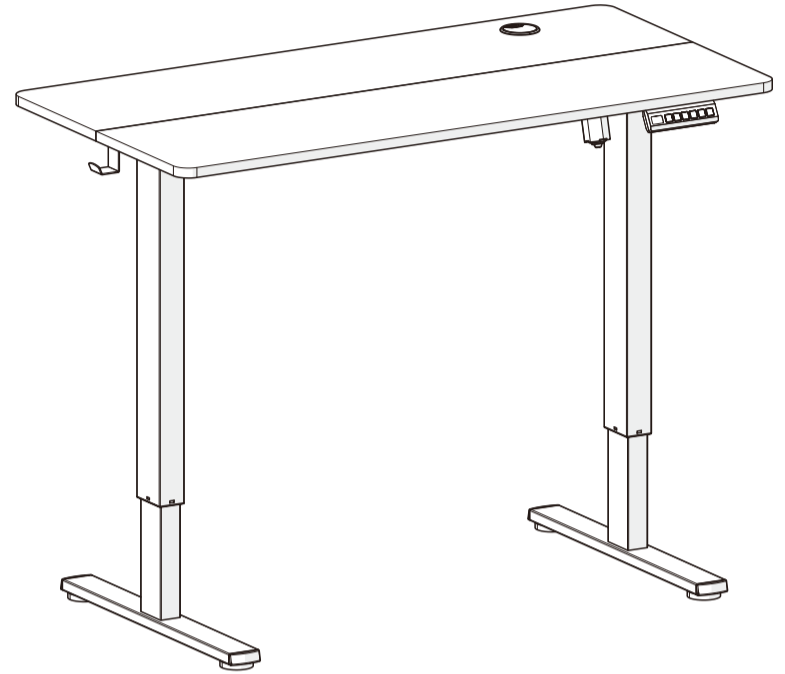
Disposal: The product with this mark indicates that this product shouldn't be disposed with other household wastes throughout the EU. To prevent possible harm to the environment or human health from uncontrolled waste disposal, recycle it responsibly to promote the sustainable reuse of material resources. To return your used device, please use the local recycle service or contact your point of purchase to withdraw the product.

STABLEDESK

ELECTRIC SIT-STAND DESK

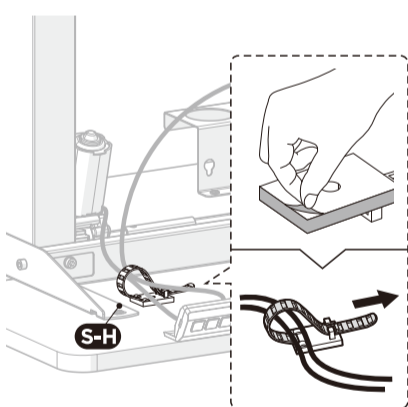
Instruction Manual

SD-112-NE / SD-112-AL / SD-112-MARO



9. Cable Management

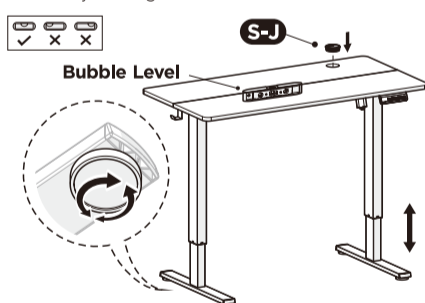
- Run the cables through the **Cable Clips (S-H)** and stick the Cable Clips to the desktop to ensure clean and tidy surface.



10. Adjusting the Desk

- Turn over the desk with the help of another person.
- There are two adjustable foot pads under each foot. If the floor isn't even, simply turn the pad to adjust the level to make the desk stable.
- *Tip: Use a bubble level (not included) to check if the desktop is even.*
- Connect the desk to power. Press the "▲" or "▼" buttons to adjust the desk to desired height.

CAUTION: At least two people are required when turning over the desk, otherwise serious bodily injuries might occur.



6. Menu Operations:

Press "S" for 5 seconds to enter the menu (flashing). Press "S" to go through the menu, press "▲" and "▼" to change the setting. You can keep pressing the "▲" or "▼" for a quick setting in **Minimal/Maximum Height Limit Setting**. Keep pressing "S", a progress bar will appear on the screen, when the bar is approaching to the end, it will save the menu setting. "SUS" means save successfully, "FAL" means save failed. The system will exit the menu after 10 seconds with no actions.

Menu	Display	Instruction
To Adjust Minimal Height Limit	71-110	Setting Range: 71cm-110cm (1cm per press) Set the Maximum Height Limit at least 10cm bigger than Minimum Height Limit.
To Adjust Maximum Height Limit	83-120	Setting Range: 83cm-120cm (1cm per press) Set the Maximum Height Limit at least 10cm bigger than Minimum Height Limit.
To Adjust Anti-Collision Sensitivity (Current Sensor Upward Movement)	PC0~PC5	Sensitivity Setting Range: 0-5 0: off, 5: the highest.
To Adjust Anti-Collision Sensitivity (Current Sensor Downward Movement)	dC0~dC5	Sensitivity Setting Range: 0-5 0: off, 5: the highest.
Unit	U-0	cm
	U-1	inch

7. Power-Saving:

The system will enter power-saving mode after 1 minute with no actions and the display will get dark. Press any button to exit the power-saving mode.

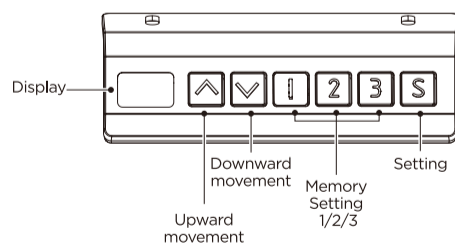
Troubleshooting Guide

Error No.	Solution
SC0	Plug out the power and re-plug. Change the driver board if needed.
SC1	Plug out the power and re-plug. Change the power board if needed.
SC2	Plug out the power and re-plug. Change the driver board if needed.
SC3	Plug out the power and re-plug. Change the driver board if needed.
r-2	Different column heights. Adjust the desk to move towards reverse direction 5cm, the screen will display the current height.
r-3	Reset the system.
HOT	Remain idle for 18 minutes to cool down the system.
r-5	Check the connections between the controller and the driver board.
r-6	Wait for self-recovery. Change the driver board if it happens very often.
rst	Reset the system and the error code will disappear.
EX0	Plug out the power and re-plug. Change the driver board if needed.
EX1	Remove the items from the desk and the error code will disappear.
EX2	Check the connections of motor cords.
EX3	Check the motor cords and the Hall cords.
EX4	Adjust the desk to move towards reverse direction 5cm, the screen will display the current height.
EX5	Check if the lifting columns are stuck.
EX6	Check the connections between the motor cords and the driver.

Note: X stands for column No.1, 2, 3,....

Control Panel For Electric Height Adjustable Desk

User Guide

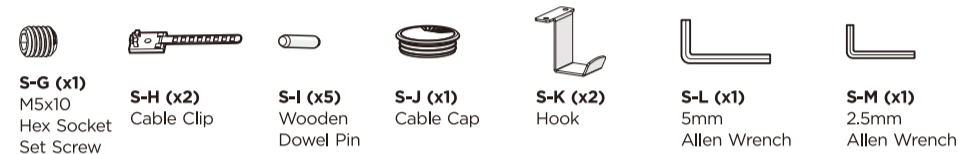
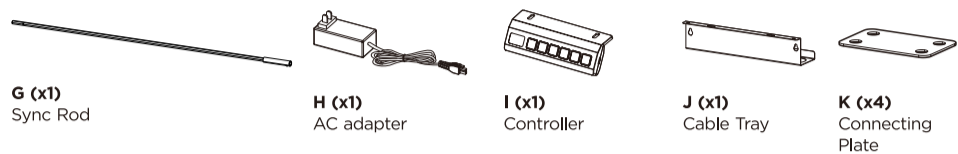
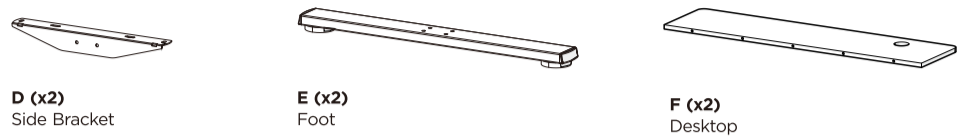
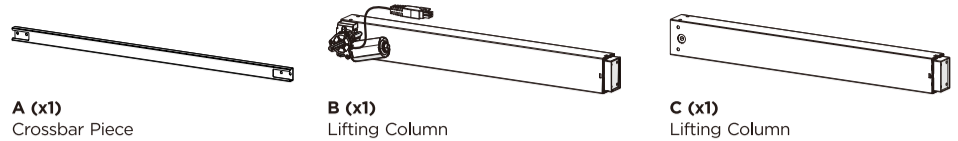


Operation Instruction:

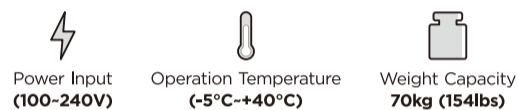
1. **When the system is powered on (100-240VAC)**, the existing desktop height will be displayed on the controller. If the height displayed is not the same as the actual height, the user will need to reset the system before use.
2. **Reset the System:**
Press the "▼" button for 5 seconds till the display shows "rst", keep pressing "▼" till the desk moves to the lowest height and then moves upwards about 1cm. The system is successfully reset. Resetting will stop if release the "▼" button in the process. Follow the instruction mentioned above to finish resetting before move on to other operations.
3. **"▲" Upward movement "▼" Downward movement**
Press the "▲" or "▼" and do not release until the desk reaches the desired height.
4. **Memory Setting:**
To store a certain height, first press "S" and it will display "S-". Press "1", "2" or "3" to store the current height in the setting. Once it is completed, you can have the desk move to the corresponding height by pressing "1", "2" or "3". Pressing any button will stop the automatic adjustment.
5. **Screen Locking Function:**
To lock the controller, press the "▲" and "▼" for 5 seconds till the controller displays "Loc". To unlock the controller, press the "▲" and "▼" for 5 seconds till the controller displays current height number.

Checklist and Installation

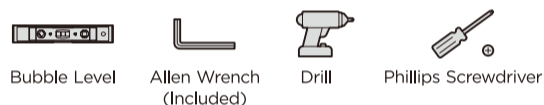
Please check all of the components shown in the component checklist. If any of the components are missing or damaged, contact your point of purchase for a replacement.



What important specifications should know before installation?

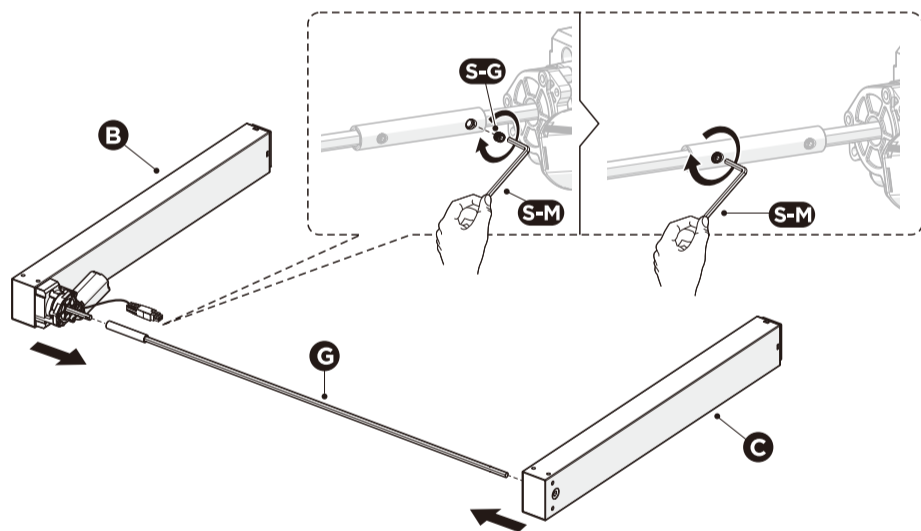


What tools are needed to assemble the desk frame?



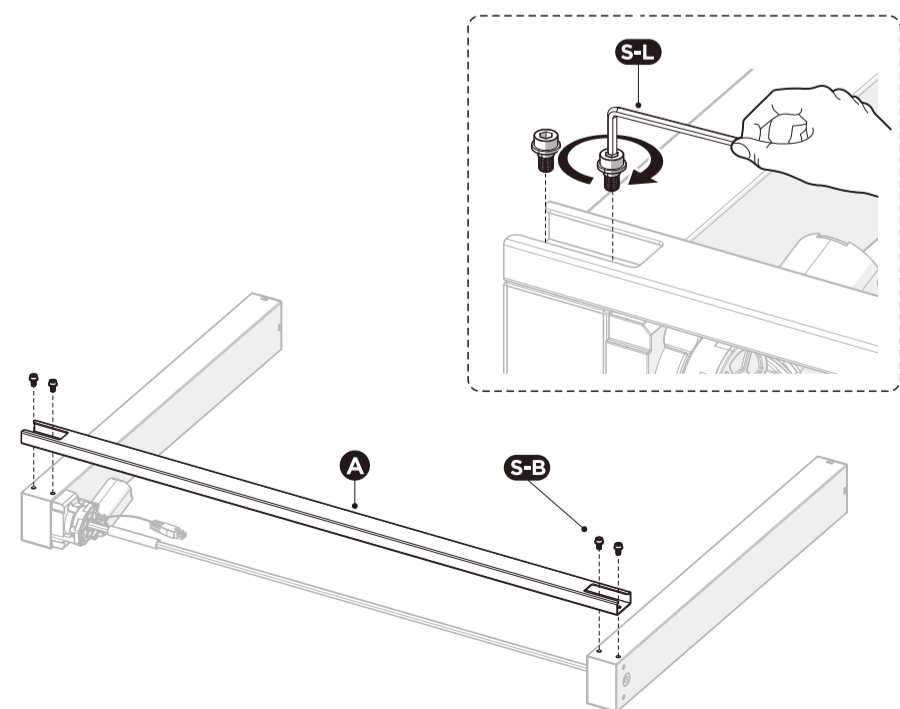
1. Attaching the Sync Rod

- Insert both ends of **Sync Rod G** into holes on the **Lifting Column B** and **C** as shown in the illustration.
- Tighten the **M5x10 Screw S-G** with **Allen Wrench S-M**. Repeat the same process to tighten the other screw.



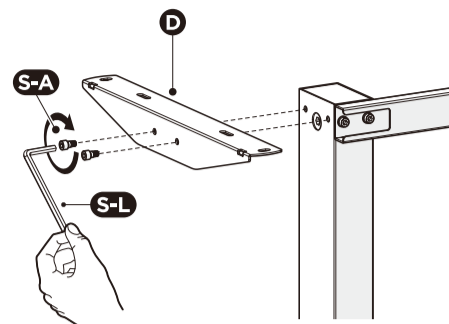
2. Attaching the Crossbar

- Attach the **Crossbar A** to the **Lifting Columns B/C** using 4 **M6x10 Screws S-B** with **Allen Wrench S-L** as shown in the illustration.



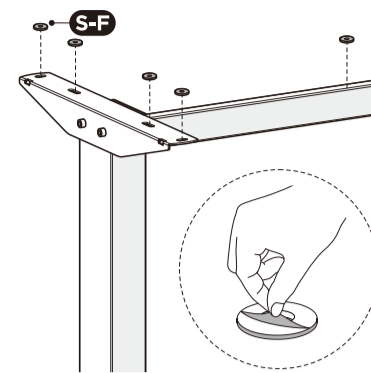
3. Attaching the Side Brackets

- Attach the **Side Bracket D** to the **Lifting Column** using 2 **M6x12 Screws S-A** with **Allen Wrench S-L**.
- Repeat the same process to attach the other side bracket.



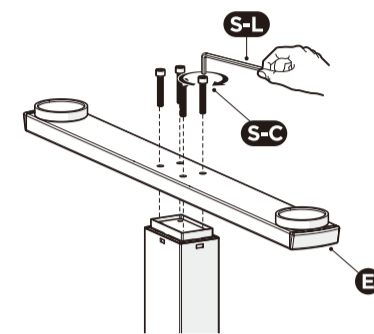
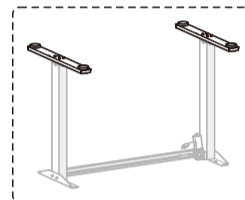
4. Attaching the Anti-Vibration Pads

- Turn over the desk frame with the crossbar facing up.
- Attach the **Anti-Vibration Pads S-F** to the surface of the crossbar on the ten positions as shown.



5. Attaching the Feet

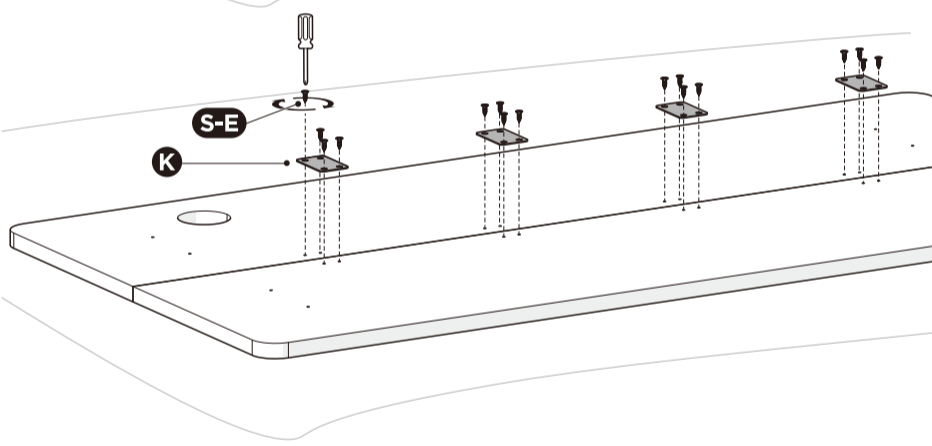
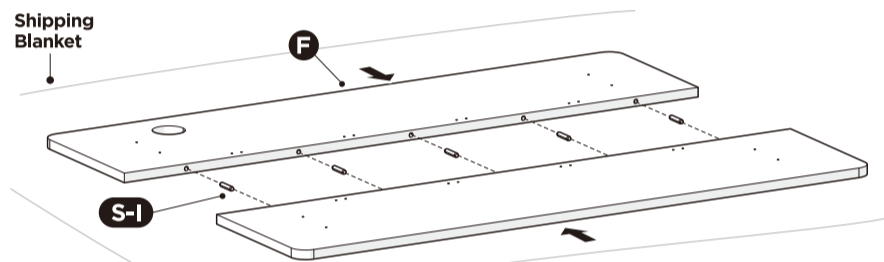
- Place the **Lifting Column B/C** upside down on the floor.
- Attaching the **Foot E** to the **Lifting Column** using 4 **M6x35 Screws S-C** with **Allen Wrench S-L**.
- Repeat the same process to attach the other foot.



6. Assembling the Desktop

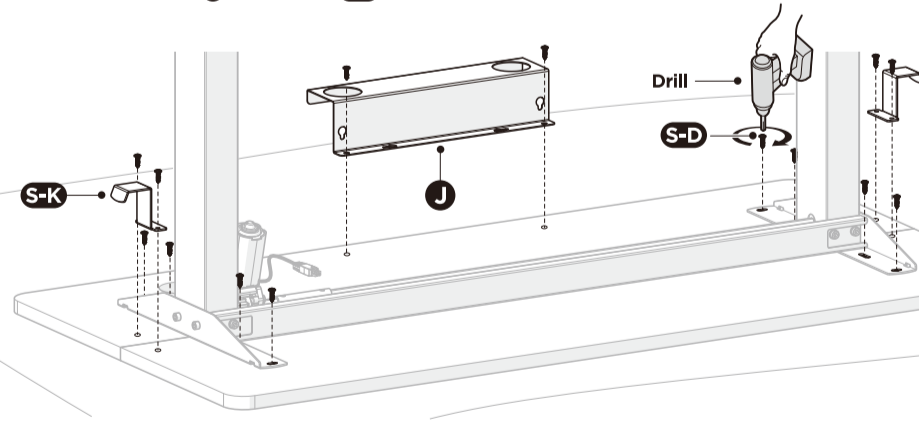
- Carefully place the disassembled **Desktop F** upside down on the floor as shown.
- Assemble the desktop with 5 **Wooden Dowel Pins S-I** and 4 **Connecting Plates K** using 16 **ST4.0x12 Screws S-E**.

Note: Please make sure the desktop keep facing down while installation.



7. Drilling to the Desktop

- Attaching the assembled desk frame to the desktop through the mounting holes found on the Side Brackets and Crossbar as shown in the illustration using 8 **ST4.0x16 Screws S-D**.
- Attach the **Cable Tray J** and the **Hook S-K** to the desktop as shown.



8. Connecting Cords and Attaching Controller

- Connect the **Controller I** with the **AC Adapter H** and motor as shown.
- Attach the **Controller I** to the desktop using 2 **ST4.0x16 Screws S-D**.

Note: Do not plug into the power before the desk is fully assembled.

